



High-frequency transformer

EE16 Series

Parameters/Dimensions:

EE16 Type 1

Information:

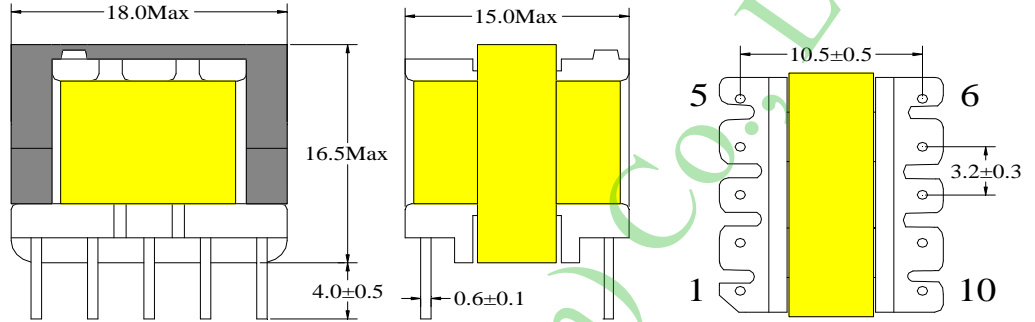
Shape:EE16

1 Power:10W

2 Mounting Orientation: Vertical

3 Size: 18(W) * 15(L) * 16.5 (H)

4 Effective Ae (mm²): 18.88



EE16 Type 2

Information:

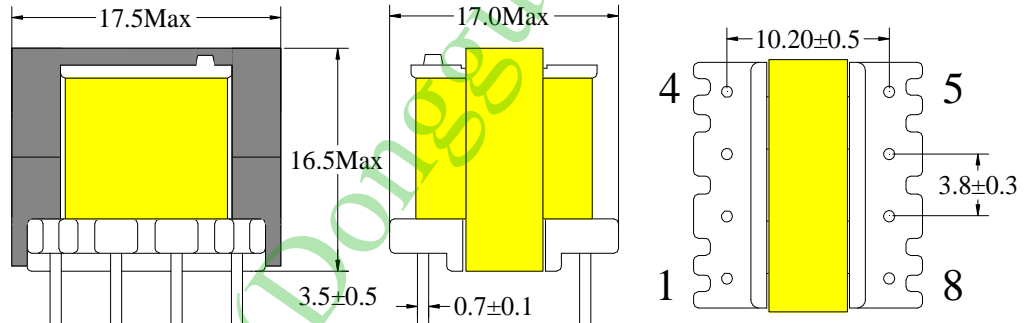
Shape:EE16

1 Power:10W

2 Mounting Orientation: Vertical

3 Size: 17.5 (W) * 17(L) * 16.5 (H)

4 Effective Ae (mm²): 18.88



EE16 Type 3

Information:

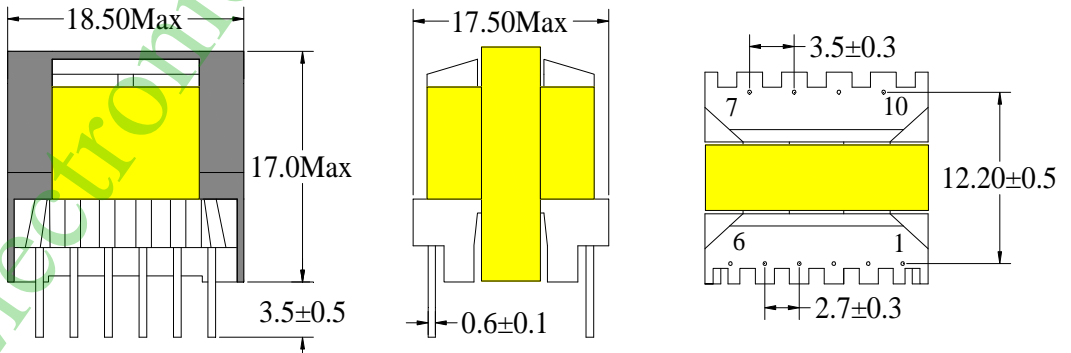
Shape:EE16

1 Power:10W

2 Mounting Orientation: Vertical

3 Size: 18.5 (W) * 17.5(L) * 17 (H)

4 Effective Ae (mm²): 18.88



EE16 Type 4

Information:

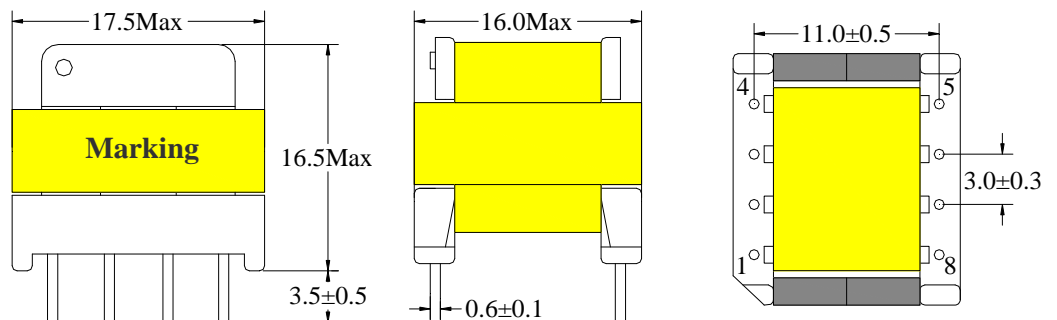
Shape:EE16

1 Power:10W

2 Mounting Orientation: Horizontal

3 Size: 17.5 (W) * 16(L) * 16.5 (H)

4 Effective Ae (mm²): 18.88





High-frequency transformer

EE16 Series

Parameters/Dimensions:

EE16 Type 5

Information:

Shape:EE16

1 Power:10W

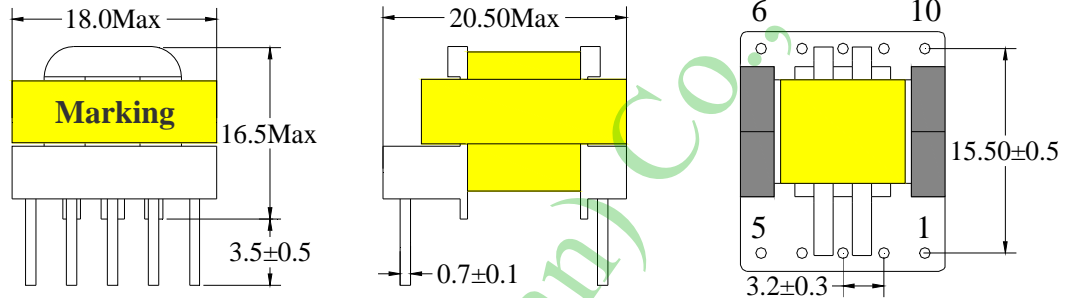
2 Mounting Orientation:

Horizonta

3 Size: 18 (W) * 20.5(L) * 16.5

(H)

4 Effective Ae (mm²): 18.88



EE16 Type 6

Information:

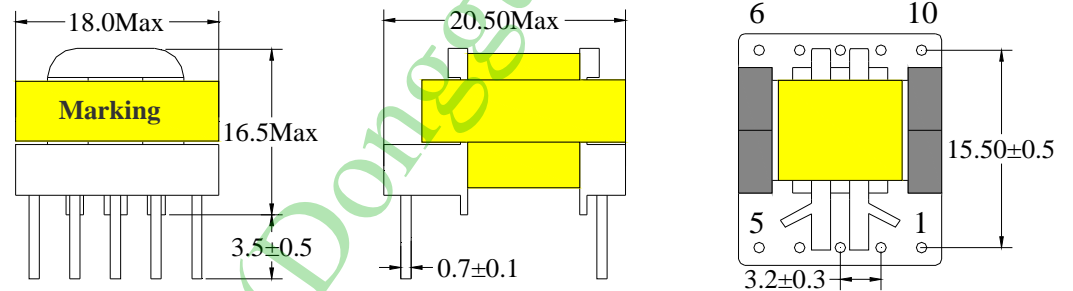
Shape:EE16

1 Power:10W

2 Mounting Orientation:Horizonta

3 Size: 15 (W) * 14(L) * 14 (H)

4 Effective Ae (mm²): 18.88



Note:

Bobbin type listed in the traditional style, transformer design parameters to customer needs or to inject prevail.

EE series high-frequency transformer features:

Lead space, easy winding wire. Applicable to a wide range of high frequency, wide operating voltage range, output power, good thermal stability

Uses:

Program-controlled switches are widely used in power supplies, LCD power supply, UPS power inverter power supply, computer power, energy-saving lamps and other fields.